



# USER MANUAL

## INHI-D17

### INPUT BINARY

#### Potential DIN

v2.50

Towing Potential binary inputs designed to be mounted on a DIN rail, a seventeen tracks the input control system operation and is designed for installation in cabinets on DIN rails or enclosures controlled devices. Coupler can be depending on the version galvanically isolated  $U_{izol} = 3.5kV$ .

It is possible wireless connectivity (Zee) or wired (Wee) system. The device allows receiving information about the status of any of the 17 inputs ( $V_{in}$  depending on the version) and display their status on the synoptic (configurable  $3 \times 12 + 3 \times 12$  red lamp lights green). The device can be depending on the version supplied from the bus Wee  $5V_{\approx}$  or  $12V_{\approx}$ .

The device is used for coupling to foreign control systems, or analysis of the dashboard. Short-circuiting the input and Com port to call the state of inflammation in the input.

### Explanation of symbols

- The flash symbol indicates the danger of electric shock
- The symbol indicates another danger that may occur while still incorrect

### Safety rules

- Be sure to read the instruction manual. The device should be used as you intended. In the case of use of the device misuse, or failure to comply with the following instructions, the manufacturer accepts no liability for any damage to property or to the person and the guarantee / warranty expires.

The device must be connected to single-phase in accordance with applicable standards. This manual defines the connection. Activities relating to the installation and connection should be done by qualified installers electricians after reading this instrukcja.

Disassembling of the device and its damage will void the warranty, and pose a risk of electric shock. Before assembly, make sure that connecting cables are not powered.

### Technical data

Supply voltage  $5V_{\approx}$   
 Output voltage S, I1..I16  $230V_{\approx}$   
 Insulation  $3.5kV$

Working temperature  $-10^{\circ}C..+35^{\circ}C$   
 Operating frequency  $2.4GHz$  DSSS, 16channels ISM

Comply with the Directives RTTE

Dimensions  $90 \times 35 \times 65$  mm (2din)  
 Energy consumption  $<0.200W$  for power Wee

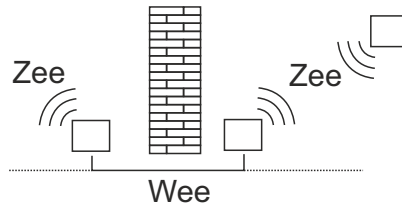
Radio coverage  $\sim 30m$  in the building  
 $\sim 300m$  in the field

Cable range  $\sim 500m$  bus length  
 Transmission protection AES 128bit encryption  
 PIN for every unit  
 Weight 100g

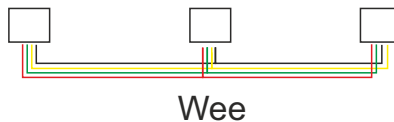
### I Automation system

ZeeGO is a building automation system, in which the device can be connected to the main cable (Wee) or radio (Zee).

Radio equipment to build a network of MESH (grid), where typically each network node can transmit data on, and in case of its failure or shutdown, the network will rebuild automatically.



The radio signal is attenuated by any obstruction such as a wall or housing, applying in the case of wires improves call quality, and also eliminates cumbersome loss of communication, through the complete stability of the connection. In a wired network, you can connect wired devices 255.



Wee wires are connected in parallel, and each device connected by wire, can build independent radio networks available on 16 channels, each radio network can connect 255 radio devices.

The transmission is bi-directional with confirmations and repeats the message is encrypted with AES with 128 bit key, each device has its own individual PIN number needed to connect with the panel in the full encryption and a unique Serial Number.

Radio transmission takes place in a free  $2.4GHz$  band on one of the 16 channels. The high sensitivity devices provide error-free transmission even in highly disturbed environments.

The device allows receiving information from 17 input-inducing scenarios.

Typically the device is intended for installation in the control cabinet rail din. Each of the events may have been

### II Installation of the unit

- The device should be installed after disconnecting the power phase. Make sure that cables are not under voltage.
- The behavior of the order indicated connections, allows for correct installation.

1. Note of the card PIN and Serial Number (SN) device (Both located on the housing of the device)
2. Connect the cables of high Com, S, I0-I15 acc to fig 1.

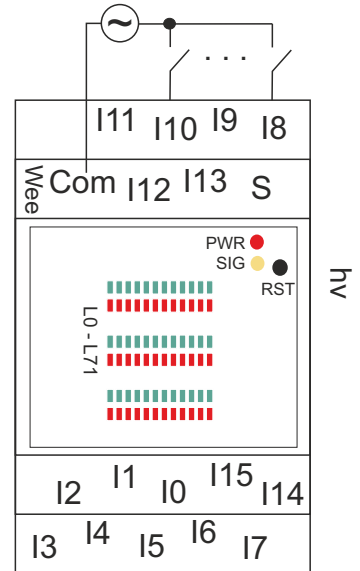


Fig 1. Diagram of the coupling connection

Explanations to the scheme:

- Com** - GND (Neutral)
- S** - terminal wejsia designated (control potential, or one of the inputs)
- I0..I15** - input terminals
- SIG** - indicator light status
- PWR** - power light bus
- RST** - service button to reset the device
- Wee** - Wee bus connector
- L0..L71** - Lamps working table indicating configurable (odd green, even red)
- CFG** - configuration jumper bus voltage Wee

5. Insert the plug connector bus Wee.
6. Put module distribution being careful not to damage the cables, high voltage cables arrange so as not to interfere with the module. This operation requires some practice, it is recommended to perform the installation by trained personnel.
8. Close the switchboard by structure.

From the moment the device is not connected to the system will operate in emergency mode;

### III Launching Device

It is recommended that a system configured by connecting all devices, facilitate system configuration.

1. Plug the control unit of the system, according to the instructions to connect the control unit.
2. Turn on the control unit



All the following activities will be carried out using the UI in short called UI.

**USER INTERFACE (UI)** - is the means of user access to the system (eg. A mobile phone)

3. UI - Select option Discovery

The control device begins to recognize and build a network after the completion of this process will be presented to the relevant report

4. Select the device you want to connect, and when prompted by the system give the PIN for each of them.



Since then, the link will no longer work in Safe mode, unless the panel will be available. In the case of loss of communication **EMERGENCY MODE** is activated.

5. UI configure the functions available using the wizard FUNCTIONS.

6. UI configure operational scenarios using the wizard SHARES.

A detailed description of configuring the system. is presented in the manual control system and on the website of the system.

#### Available input signals:

- Read the status of the port S, I0..I15

### IV Operating status, Reset

Operating status is signaled by the indicator light, which the state can be seen looking in the window service SRW.

State service work is signaled by a flashing lamp:

- The light flashes 8 times per second - no connection to the network,

- Flashes 1 time per second - a network connection

After connecting to the network, the light stops blinking, the device is in normal operating mode.

The unit can be restarted by pressing the service button (insert a thin object in the window RST)

- Short press will restart the machine (the LED blinks slowly once and then quickly 2x)

- Pressing long (more than 2 seconds) will cause a reset (erasure of key memory network), will introduce the device in service mode - it will be possible to join the unit to another network.

### V Warranty

#### TERMS OF WARRANTY:

1. The guarantor of the quality of the device is Zeegroup Sp.zo.o. (Hereinafter referred to as the "Guarantor" registered in Poland, Lodz, ul. Tuwima 6, 90-010

2. The guarantor shall provide a guarantee for the device - in the case of individual customers is 24 months, while in the case of business customers (who purchase their devices in connection with or for the purposes of the business) 12 months. This term is calculated from the date of delivery of goods to the Client.

3. The warranty covers the liability of the Guarantor for the malfunction of equipment due to its physical defects, which have stood for reasons inherent in the Device and revealed within the warranty period.

4. The warranty is valid on Polish territory.

5. During the warranty period, the Guarantor undertakes to remove the defects of physical devices by:

a) make the free repair devices, including exchange any defective or damaged parts or parts with new or reconditioned and free from defects or

b) replacement of equipment at the new and free from defects.

The right to choose how to remove physical defects devices exclusively to the Guarantor and is solely at his discretion.

6. If the device is to offer the Guarantor reserves the right to exchange for other devices, with similar parameters currently available from the Guarantor. This is an implementation of the obligations of the Guarantor.

7. As part of the guarantee client does not have permission to withdraw from the agreement of sale devices and reclaim money paid for the device.

8. Client with a valid warranty document makes the complaint Guarantor devices via the form on the following website zeego.pl or Authorized Representative in person or by telephone. List of Authorized Representatives of containing their addresses and telephone numbers has been posted at www.zeego.pl.

9. After the adoption of the complaint by the Guarantor, will issue a confirmation of the customer complaint, which will be given individual notification number (RMA). In case of filing a complaint through the Authorized Representative of the Guarantor, this will contact the customer to confirm forwarding the application to the Guarantor and provide information about that number RMA.

10. After receiving the complaint Guarantor shall immediately contact the customer to determine the date at which the representatives of the Guarantor will make an inspection and evaluation of technical devices in the presence of the customer.

11. After inspection the customer will be informed about the date and manner of handling the complaint. Repair or replacement equipment should take place no later than 14 days with the proviso that the fact that all components of the devices are covered by the manufacturer's warranty, the duration of the warranty can be extended by the time waiting for a replacement component by its manufacturer.

12. indicated in point 2 of the warranty period is extended by the time during which repair or replacement were performed, and the customer was prevented from using the devices.

13. Travel costs for faulty equipment, or the cost of transportation to the place of repair cover Guarantor. Where it is found that the disadvantages of devices arise from circumstances for which the guarantor is not responsible, then the guarantor may charge these costs Buyer.

14. The guarantor may refuse to accept a complaint if it finds that the customer does not have a valid warranty or malfunction of devices due to reasons other than a defect inherent physical devices in the Device, in particular those mentioned in section 15.

15. The warranty does not cover:

a) mechanical defects of devices, including cracks, fractures, cuts, abrasions, physical deformations caused by impact, fall or dropping on a device other object;

b) operation incompatible with the intended devices, manual devices, or the manufacturer or the Guarantor;

c) damage or defects caused by the fault of the user, or third parties;

d) damage caused by external causes, not previously inherent in the Device, including force majeure;

e) damage caused by the impact of weather conditions on the device;

f) damage caused by power surges and power supply, a faulty connection to the power grid and the use of incorrect fuses;

g) damage caused by improper maintenance or lack of maintenance equipment,

17. This warranty does not exclude, limit or suspend the rights of the Customer arising from the provisions of the warranty for defects in the goods sold.

#### Utilization



Electronic devices are recyclable waste and must not be disposed of in the trash. Products must be disposed of after the operation in accordance with applicable law.

#### Distribution

Zeegroup Sp. z o.o.

Zeego.pl

Zeego.eu

If you have questions, please contact your local representative.



R1.0



Made in EU